

Air Baskets MINI SKY 13,5 Over Center



**WORKING
HEIGHT**
13,5 m



**MAXIMUM SIDE
REACH**
6,2 m



**TURNING
ANGLE**
410° or infinite

Specifications - Mini Sky 13,5

**SIMPLE BASKET
CAPACITY (KG)**

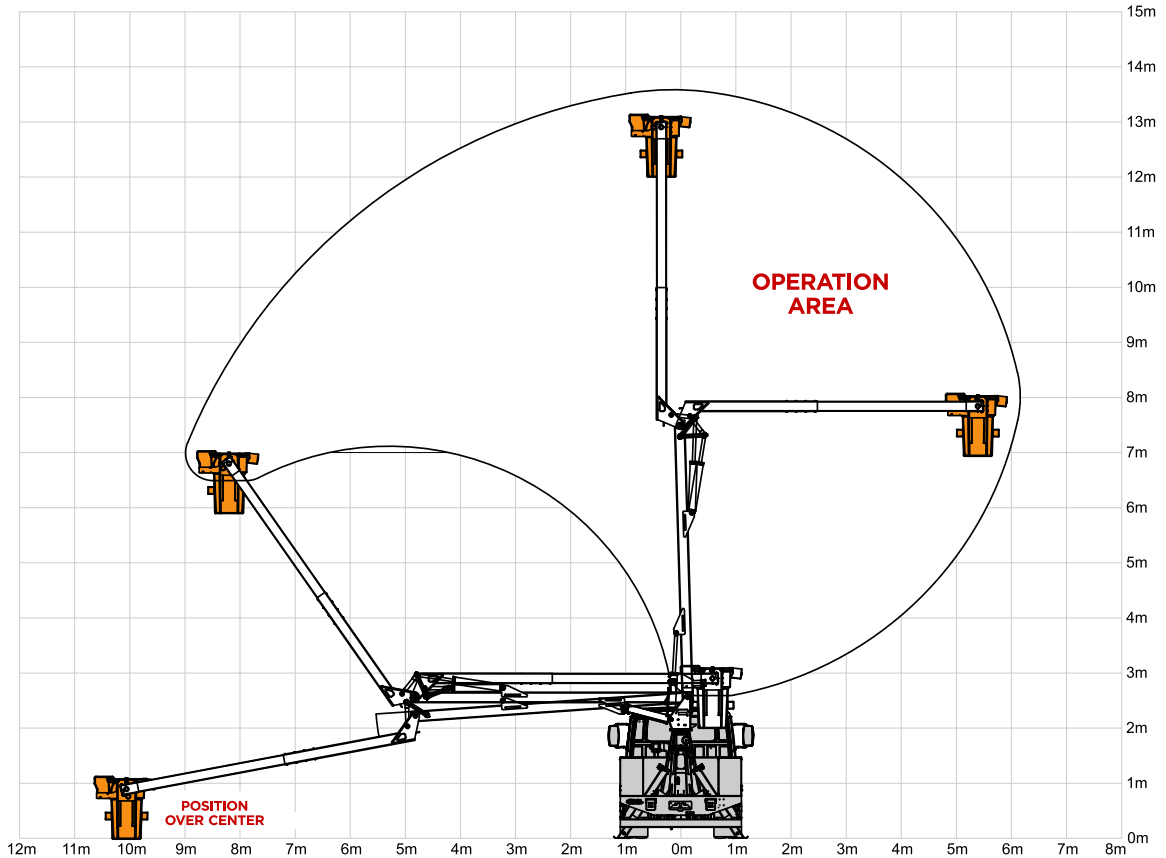


MASAL

**CHECK
OUR
WEBSITE**



RANGE CHART



*** FOR SAFETY, THE OVER CENTER POSITION MUST BE EXPLORED IN THE REAR LONGITUDINAL DIRECTION OF THE VEHICLE.

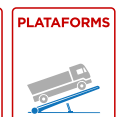
TECHNICAL SPECIFICATIONS

MINI SKY 13,5

	1	2
1. Number of Buckets	1	2
2. Working Height (m)		13,5
3. Height to Basket Base (m)		12
4. Turning Angle (°)		410
5. Infinite Spin		Opc.
6. Opening between Arm and Boom (°)		173
7. Over Center (Optional) (°)		187
8. Simple Basket Capacity (kg)	136	136 (2x)
9. Front Stabilizers	Opc.	✓
10. Rear Stabilizers		✓
11. Insulation (kV)		46/69
12. Maximum Side Reach (m)		6,2
13. Oil Reservoir (L)		37
14. Hydraulic Pump Flow (cc / rev)		16
15. Working Pressure (Bar)		180
16. Minimum PBT (Ton)		5,5
17. Minimum Distance Between Wheels (m)		3,5

OUR STRENGTH IS TRADITION

**KNOW OUR
PRODUCTS
LINES**



MASAL INDUSTRY

Headquarters - Rua Alfredo Caetano,
02 Santo Antônio da Patrulha
Rio Grande do Sul / Brazil

+55 (51) 3662-3066
www.masal.com.br

MASAL