

# Crane MS 3502



**MAXIMUM HORIZONTAL  
OUTREACH**  
**4,80 m**



**MAXIMUM VERTICAL OUTREACH  
FROM THE GROUND**  
**7,50 m**



**SLEWING  
ANGLE**  
**360°**

Specifications - MS 3502

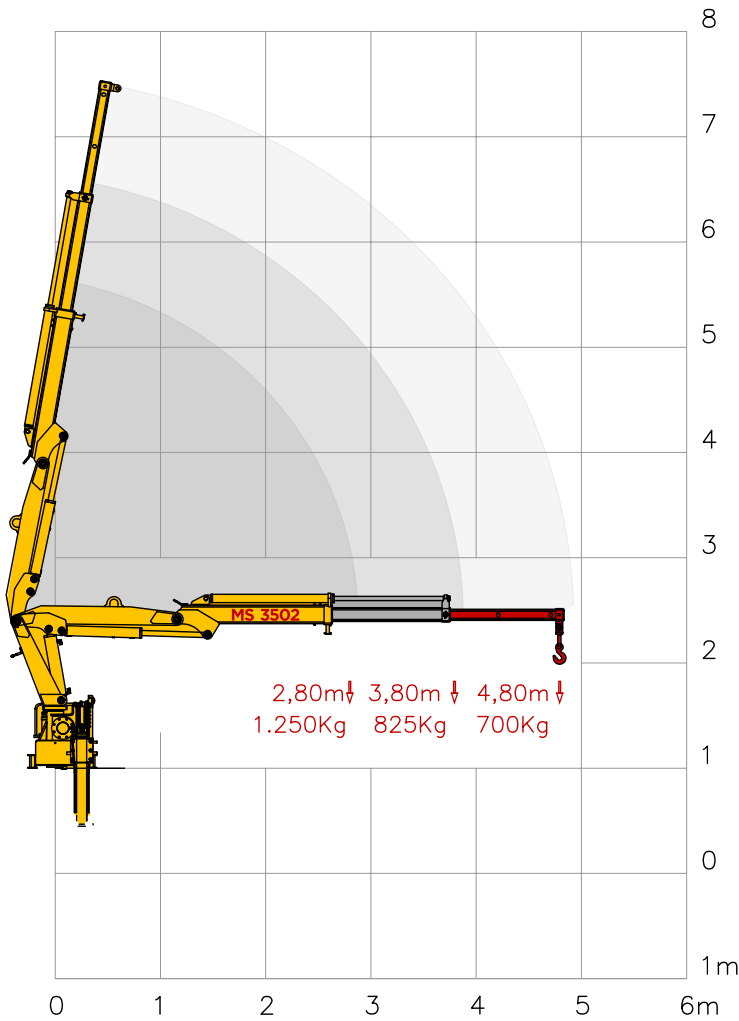
**MAXIMUM EXTENT  
CAPACITY**

**4,80 m**

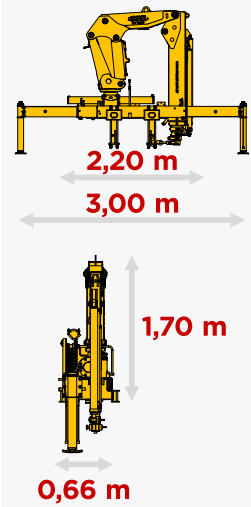


**MASAL**

## LOAD CHART



## DIMENSIONS



## CHECK OUR WEBSITE



## TECHNICAL SPECIFICATIONS

|   |       | <b>MS<br/>3502</b> |
|---|-------|--------------------|
| 1. Lifting moment capacity                | kgf/m | 3500               |
| 2. Maximum operating pressure             | bar   | 180                |
| 3. Hydraulic reservoir capacity           | L     | 100                |
| 4. Equipment weight                       | kg    | 950                |
| 5. Number of hydraulic extensions         |       | 1                  |
| 6. Quantity of manual extensions          |       | 1                  |
| 7. Maximum capacity at maximum outreach   | kg    | 700                |
| 8. Maximum capacity at first handle       | kg    | 1250               |
| 9. Maximum horizontal outreach            | m     | 4,80               |
| 10. Maximum horizontal hydraulic outreach | m     | 3,80               |
| 11. Maximum vertical outreach             | m     | 7,50               |
| 12. Maximum vertical hydraulic outreach   | m     | 6,60               |
| 13. Width in folded position              | m     | 2,20               |
| 14. Width stabilizer spread               | m     | 3,00               |
| 15. Maximum opening angle                 | graus | 80                 |
| 16. Slewing angle                         | graus | 360                |
| 17. Minimum lifting radius                | m     | 1,50               |
| 18. Installation space needed             | m     | 0,85               |
| 19. Slewing torque                        | kgf/m | 900                |
| 20. Dead weight                           | ton   | 6,7                |

## AVAILABLE COLORS



## KNOW OUR PRODUCTS LINES



OUR STRENGTH IS TRADITION

MASAL INDUSTRY

Headquarters - Rua Alfredo Caetano,  
O2 Santo Antônio da Patrulha  
Rio Grande do Sul / Brazil

(51) 3662-3066  
www.masal.com.br

# MASAL