

Air Baskets MICRO SKY 11 Over Center



MASAL
100% Electric Version



**WORKING
HEIGHT**
11 m



**MAXIMUM SIDE
REACH**
5,2 m



**TURNING
ANGLE**
410° or infinite

Specifications - Micro Sky 11

**SIMPLE BASKET
CAPACITY (KG)**

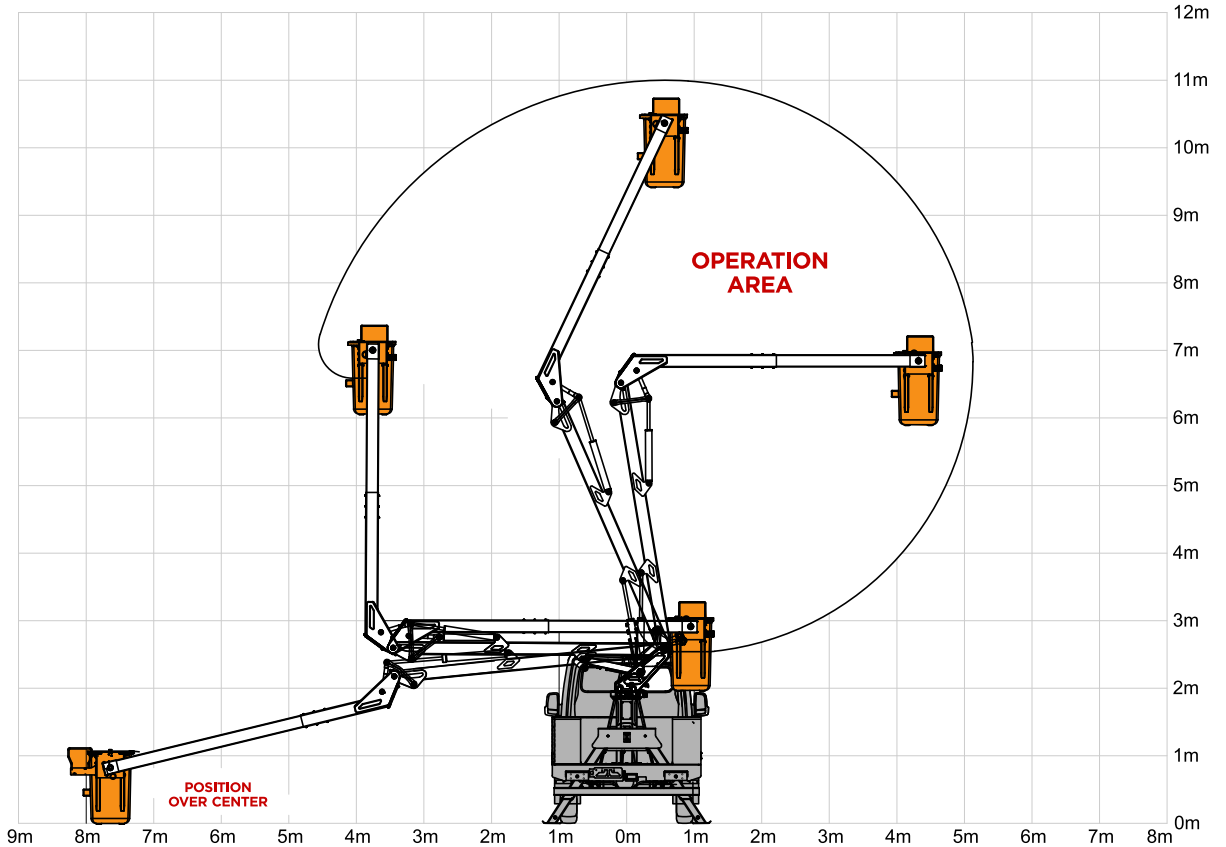


MASAL

CHECK
OUR
WEBSITE



RANGE CHART



*** FOR SAFETY, THE OVER CENTER POSITION MUST BE EXPLORED IN THE REAR LONGITUDINAL DIRECTION OF THE VEHICLE.

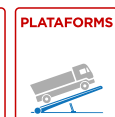
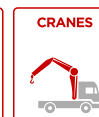
TECHNICAL SPECIFICATIONS

MICRO SKY 11

1. Number of Buckets	1
2. Working Height (m)	11
3. Height to Basket Base (m)	9,5
4. Turning Angle (°)	410
5. Infinite Spin	Opc.
6. Opening between Arm and Boom (°)	157
7. Over Center (Optional) (°)	192
8. Simple Basket Capacity (kg)	136
9. Front Stabilizers	Opc.
10. Rear Stabilizers	✓
11. Insulation (kV)	46
12. Maximum Side Reach (m)	5,2
13. Oil Reservoir (L)	19
14. Hydraulic Pump Flow (cc / rev)	11
15. Working Pressure (Bar)	180
16. Minimum PBT (Ton)	3,5
17. Minimum Distance Between Wheels (m)	2,4

OUR STRENGTH IS TRADITION

KNOW OUR
PRODUCTS
LINES



MASAL INDUSTRY

Headquarters - Rua Alfredo Caetano,
02 Santo Antônio da Patrulha
Rio Grande do Sul / Brazil

+55 (51) 3662-3066
www.masal.com.br

MASAL