

# Air Baskets MICRO SKY 10



**WORKING  
HEIGHT**  
**10 m**



**MAXIMUM SIDE  
REACH**  
**4,6 m**



**TURNING  
ANGLE**  
**410° or infinite**

Specifications - Micro Sky 10

**SIMPLE BASKET  
CAPACITY (KG)**

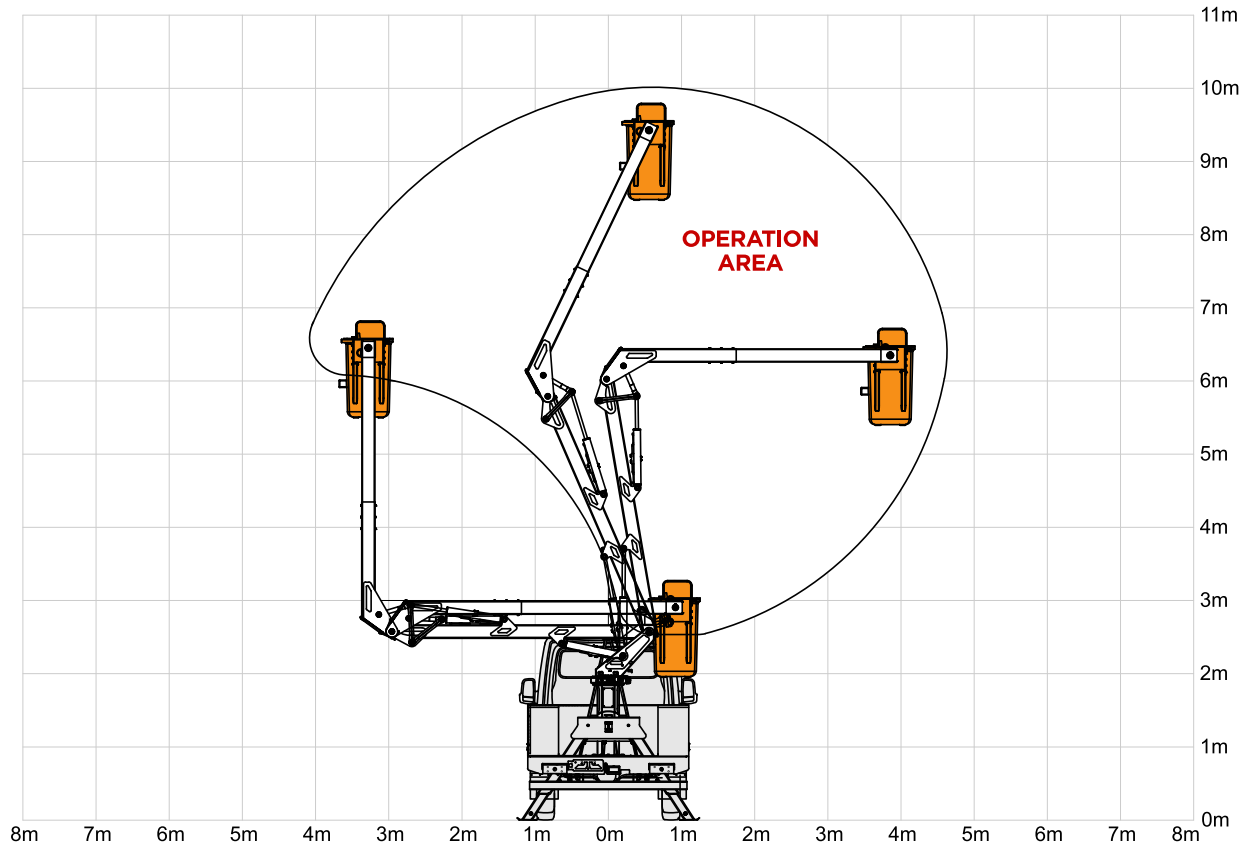


**MASAL**

**CHECK  
OUR  
WEBSITE**



## RANGE CHART



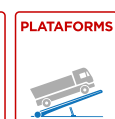
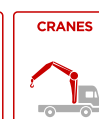
## TECHNICAL SPECIFICATIONS

## MICRO SKY 10

1. Number of Buckets	1
2. Working Height (m)	10
3. Height to Basket Base (m)	8,5
4. Turning Angle (°)	410
5. Infinite Spin	-
6. Opening between Arm and Boom (°)	157
7. Over Center (Optional) (°)	-
8. Simple Basket Capacity (kg)	136
9. Front Stabilizers	Opc.
10. Rear Stabilizers	✓
11. Insulation (kV)	46
12. Maximum Side Reach (m)	4,6
13. Oil Reservoir (L)	19
14. Hydraulic Pump Flow (cc / rev)	11
15. Working Pressure (Bar)	180
16. Minimum PBT (Ton)	3
17. Minimum Distance Between Wheels (m)	2,4

OUR STRENGTH IS TRADITION

**KNOW OUR  
PRODUCTS  
LINES**



**MASAL INDUSTRY**

Headquarters - Rua Alfredo Caetano,  
02 Santo Antônio da Patrulha  
Rio Grande do Sul / Brazil

+55 (51) 3662-3066  
www.masal.com.br

**MASAL**